



# FOCUS



## ECONOMY:

- Service life
- Operating cost



## ENVIRONMENT:

- CO<sub>2</sub> emission
- Process



## CSR:

- Service-friendliness
- Automation
- Work environment

**PRE-TREATMENT**

PROCESS

**SLUDGE TREATMENT**

OUTSIDE THE FENCE

SERVICE

# COOPERATION WITH **value**

At Stjernholm, we work to ensure that we always deliver the best sustainable solutions possible with regards to economy, environment and CSR.

We believe that the best solution is achieved through leveraging our shared competencies optimally in a successful collaboration based on

**mutual respect, an open and frank dialogue and exchange of ideas.**

We propose large tenders is divided into 6 phases, in order to ensure optimum correlation between our clients' strategies, KPIs and objectives and the opportunities the sector and advisers can offer.

Through our dialogue with you as a customer, we appraise whether there are other factors that can affect the decision such as:

- Can we gain certain advantages by filtering the particles from the medium or by concentrating the sludge and increasing the content of dry matters?
- Do special KPIs or goals make up the basis for the final decision?

This way maximum safety is achieved that the final solution is made based on a sustainable, long-term optimization of supply operation for the benefit of both consumers and the supply's staff.

The objective is to obtain a final solution based on a sustainable long-term optimisation of waste water operation to benefit both customers and the wastewater operational staff.



## value

When working with us, you can expect focus on delivering you a solution that adds value to the plant

### STJERNHOLM DRUM THICKENER / DRUM FILTER



#### ECONOMY

- Service life of 15-20 years.
- Automatic operation reduces the number of manhours needed for inspection and maintenance work.



#### ENVIRONMENT

- New, updated and energyefficient electric engines that fulfil future EU requirements and contribute to reducing the total CO<sub>2</sub> emission level of the plant.
- Better filtration of particles in the medium or sludge concentration lead to more efficient operations that improve the CO<sub>2</sub> emission level of the plant.



#### CSR

- Service-friendliness and operational reliability contribute to minimising the need for operational staff to touch the waste water, creating better working conditions and reducing absenteeism due to illness.

Filter and separate in cooperation with Stjernholm A/S to achieve a sustainable solution!

### ADVICES FOR TENDERS

Tenders on machine equipment should always be prepared as a pre-commercial procurement.

Those invited should have the opportunity to inspect the plant and discuss the installation before the documents for the tender are finalized.

In addition, the bidders should have the opportunity to present and review their offers to the contractor and the adviser before the order is finally placed.

The offers should be considered with great emphasis on the areas mentioned on the next page under the section: "Let's Talk Facts". When you work with us, you can expect us to focus on delivering you a solution that adds value to the wastewater plant.

# Drum Thickener / Drum Filter

# "LET'S TALK FACTS"

The Drum Thickener / Drum Filter from Stjernholm is particularly well-suited for filtering and separation of particles as early as in the purification plant inlet, from the sand washer section, or for concentration of sludge from process and purification tanks.

It is constructed as a closed casing with a drum which has been mounted with a perforated plate made of stainless steel or polyester woven filter.



The drum, which rotates on 2 wheels and a bearing is driven by a gear motor. The drum can be driven by a frequency converter that ensures an optimal rotation speed.



Drum Thickener / Drum Filter from Stjernholm are made of strong materials. They are particularly durable and designed for continuous use with a documented long service life.

## TABLE FOR COMPARISON WITH OWN REQUIREMENTS OR OTHER DRUM THICKENER / DRUM FILTER.

FACTS	DRUM THICKENER / DRUM FILTER.
Service life:	15 - 20 years
Material standard:	EN 1.4301 / AISI 304
Gear type:	SEW Helical-bevel gear
Engine:	3 x 400 V - 50 Hz Speed-regulated
Dry matter:	From 0.5% to 12%
Perforation size:	Customized
Operations:	Constructed for continuous operation
Drum angle:	Adjustable drum angle
Control strategy:	Rotations, flushing quantity and flushing duration can be adjusted to fit the task / medium.
Control:	Local control panel / SRO
Hygiene:	Closed system with inspection doors
Producer / country:	Stjernholm A/S - Denmark



Flush water and brush are located towards the top of the drum. The flush nozzles and the brush are available in various sizes, types and qualities, and they are selected based on task and medium.



The drum is equipped with extra large hatches that facilitate easy inspection and service tasks. This ensures optimal working conditions for the operational staff.

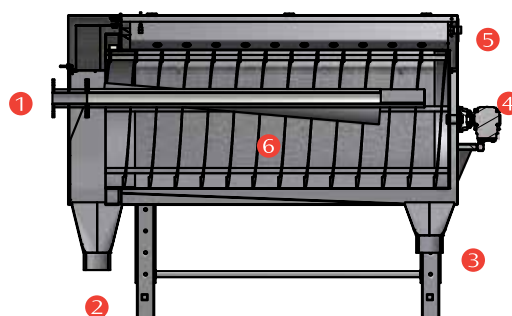
TECHNICAL DATA			
MODEL	FA-600	FA-800	FA-1250
Capacity:	150 kg DS/h	250 kg DS/h	400 kg DS/h
Diameter, drum:	600 mm	800 mm	1250 mm
Total length:	2365 mm	2655 mm	3633 mm
Total height:	1559 mm	2013 mm	2402 mm
Drive gear:	0.15 kW	0.15 kW	1.1/0.37 kW
Rpm. / min.:	5-10	5-10	5-11
Water consumption:	24 l/min.	24 l/min.	30 l/min.
Weight:	500 kg	750 kg	2200 kg

Drum Thickener / Drum Filter from Stjernholm are available in three different sizes with a capacity of up to 400 kg DS/h or 320 m<sup>3</sup>/h.

We also offer tailor-made sizes / solutions according to customer needs.

## HOW IT WORKS STJERNHOLM DRUM THICKENER / DRUM FILTER

1. Inlet, sludge etc.
2. Discharge sludge
3. Reject water
4. Drive gear
5. Inlet, flush water
6. Drum



## STJERNHOLM A/S

Stjernholm A/S develops, produces and markets better technical solutions with a high level of sustainability. Under the headline "Cooperation with Value" we focus on areas where we can make a difference within the areas of economy, environment and CSR.

We focus on delivering solutions with proven sustainability and base our way of working on an open and valuable dialogue based on mutual respect both externally and internally.

Stjernholm A/S was founded in 1997 and employs about 30 dedicated and competent employees. We have a healthy economy and we are a recognized and established player in the wastewater treatment market, where we are known for our innovative, future-oriented approach in collaboration with our customers.